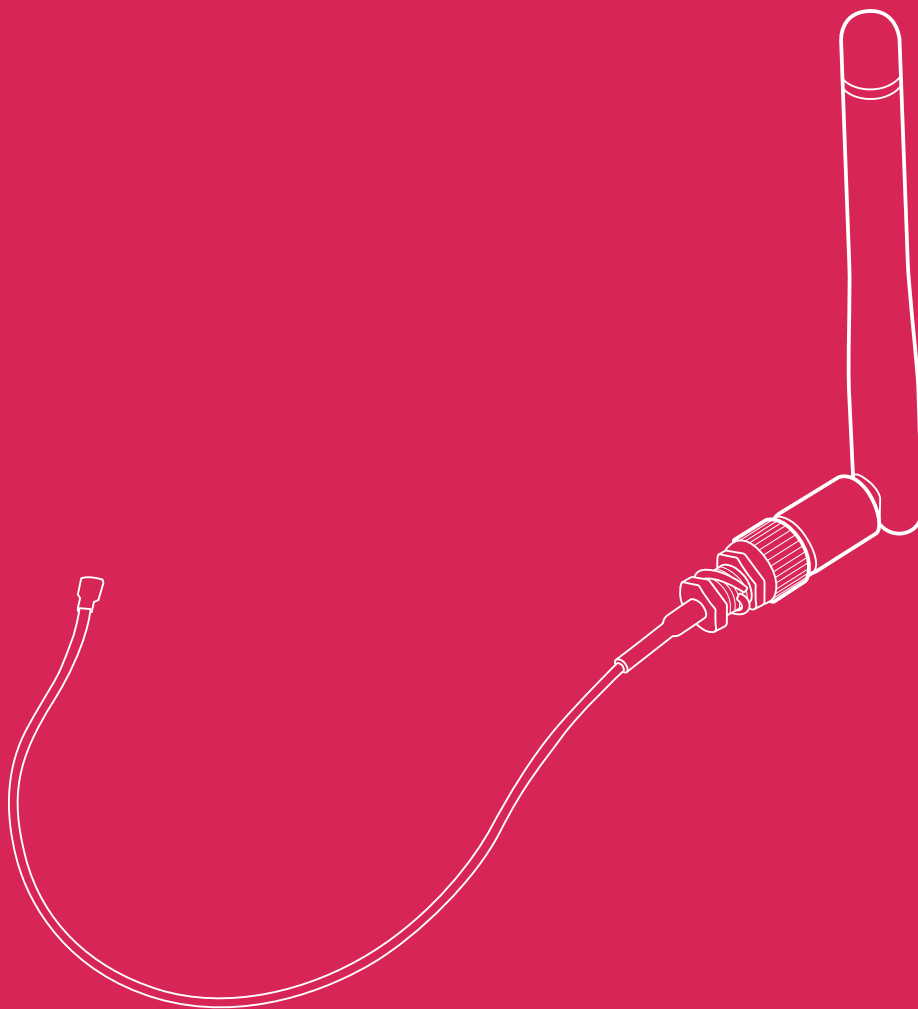




Raspberry Pi Antenna Kit

Published November 2024



Overview



The Raspberry Pi Antenna Kit provides a certified external antenna for those wishing to make use of the wireless connectivity of Raspberry Pi Compute Module 4 or Raspberry Pi Compute Module 5 while using a metal enclosure. Product designers can take advantage of the Antenna Kit's broad global regulatory compliance, streamlining the product development process.

The Antenna Kit is certified for use with Raspberry Pi Compute Module 4 and Compute Module 5. If a different antenna is used, then separate certification will be required, and this must be arranged by the end product design engineer.

This product shall only be connected to Raspberry Pi Compute Module 4 or Compute Module 5.

Specification

Antenna

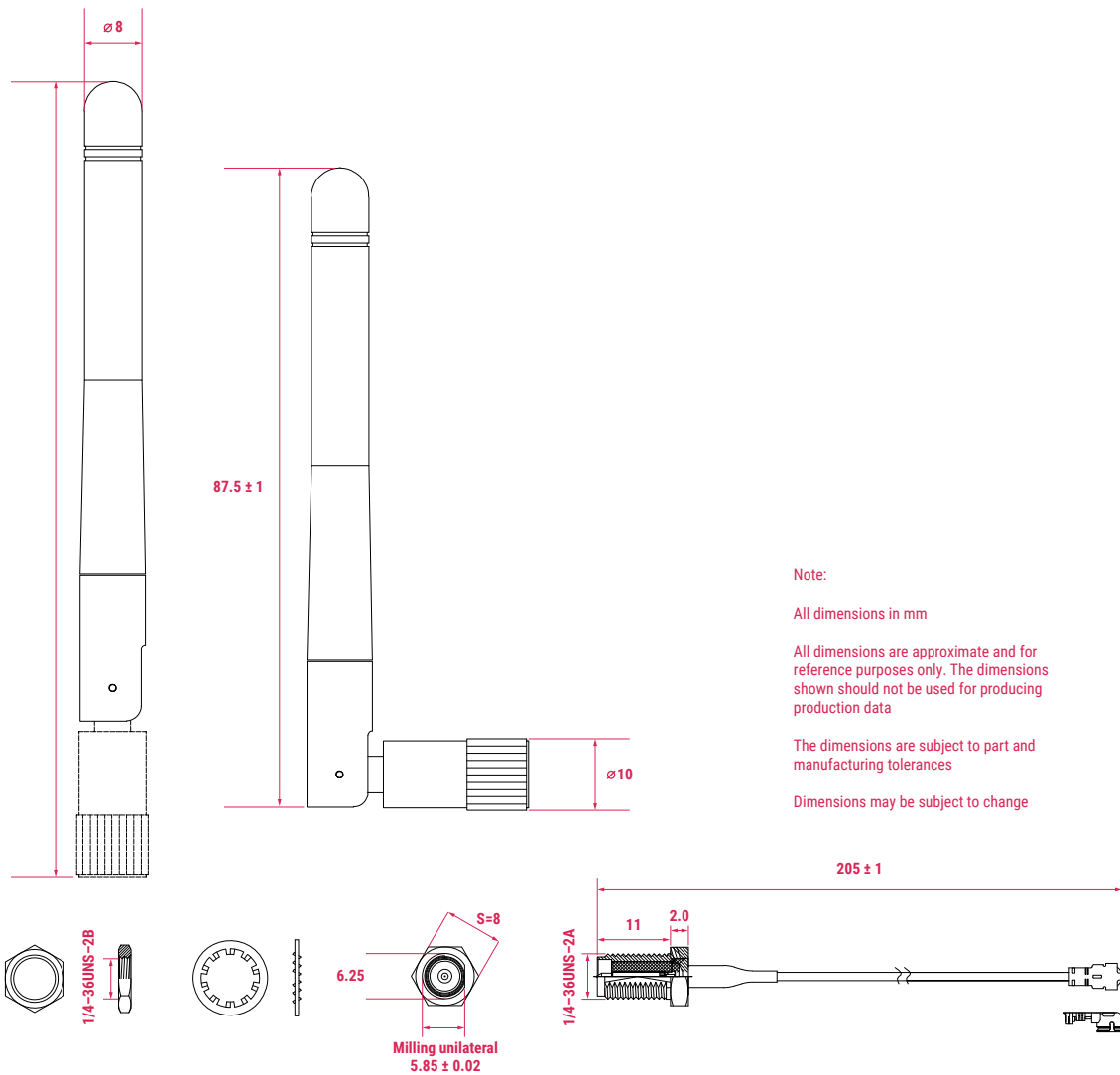
Model number:	YH2400-5800-SMA-108
Frequency range:	2400-2500/5100-5800 MHz
Bandwidth:	100–700MHz
VSWR:	≤2.0
Gain:	2 dBi
Impedance:	50 ohm
Polarisation:	Vertical
Radiation:	Omnidirectional
Maximum power:	10W
Connector:	SMA (female)
Dimensions:	108 mm × 10 mm
Shell material:	ABS
Installation:	Screw
Operating temperature:	-35 to +75°C
Weight:	±3 g

SMA to U.FL cable

Model number:	HD0052-09-A01_A0897-1101
Frequency range:	0–6GHz
Impedance:	50 ohm
VSWR:	≤1.4
Maximum power:	10W
Connector (to antenna):	SMA (male)
Connector (to CM4):	U.FL
Dimensions:	205 mm × 1.37 mm (cable diameter)
Shell material:	ABS
Operating temperature:	-45 to +80°C
Compliance:	For a full list of local and regional product approvals, please visit pip.raspberrypi.com

List price: \$5

Physical specification



WARNINGS

- This product shall only be connected to a Raspberry Pi Compute Module 4 or Compute Module 5.
- All peripherals used with this product should comply with relevant standards for the country of use and be marked accordingly to ensure that safety and performance requirements are met.

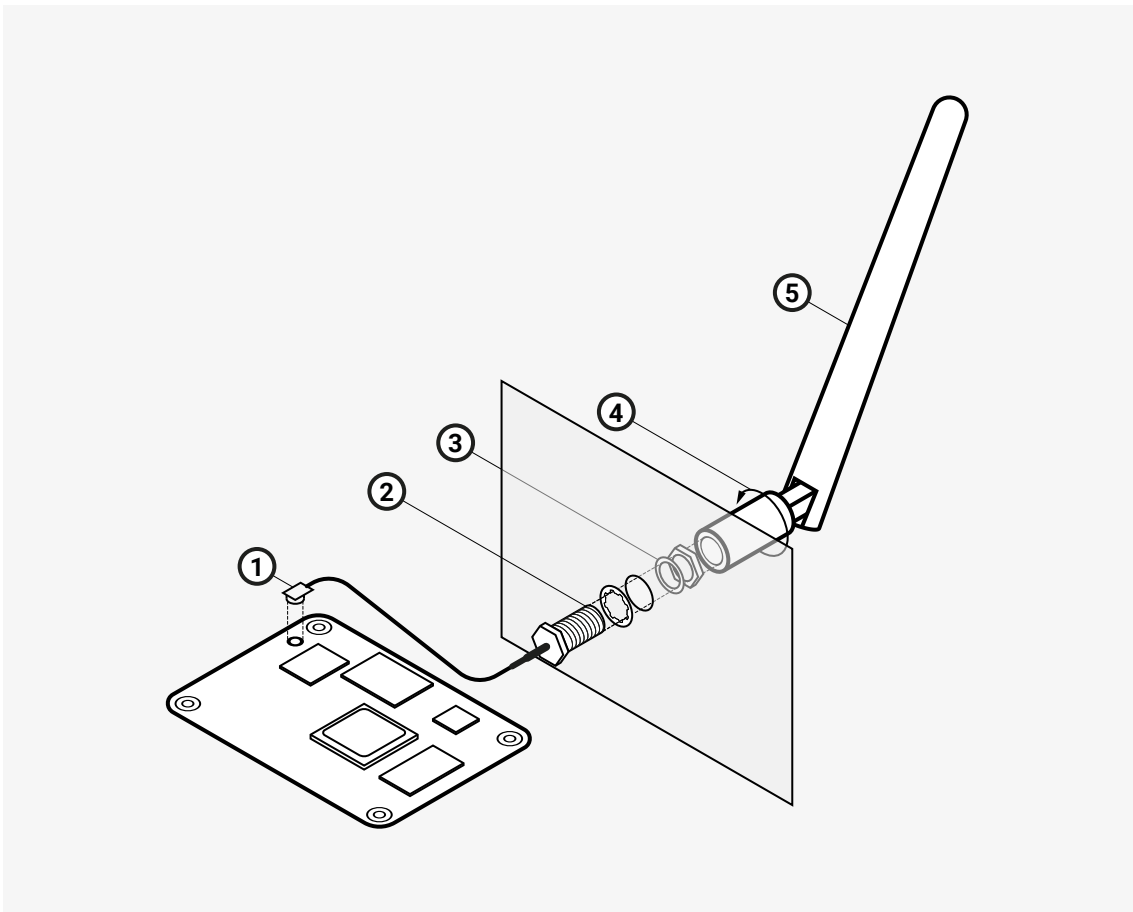
SAFETY INSTRUCTIONS

To avoid malfunction or damage to this product, please observe the following:

- Do not expose to water or moisture, or place on a conductive surface whilst in operation.
- Do not expose to external heat from any source. The Raspberry Pi Antenna Kit is designed for reliable operation at normal ambient temperatures.
- Take care whilst handling to avoid mechanical or electrical damage to Compute Module, Antenna, and connectors.

Fitting instructions

1. Connect the U.FL connector on the cable to the U.FL-compatible connector on a Raspberry Pi Compute Module 4 or Compute Module 5
2. Screw the toothed washer onto the SMA (male) connector on the cable, then insert this SMA connector through a hole (e.g. 6.4 mm) in the end-product mounting panel
3. Screw the SMA connector into place with the retaining hexagonal nut and washer
4. Screw the SMA (female) connector on the antenna onto the SMA (male) connector which now protrudes through the mounting panel
5. Adjust the antenna to its final position by turning it through up to 90°, as shown in the illustration below







Raspberry Pi is a trademark of Raspberry Pi Ltd
