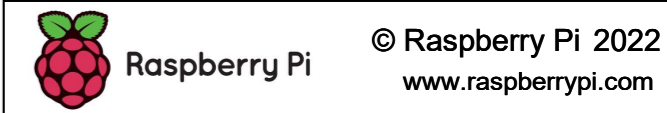
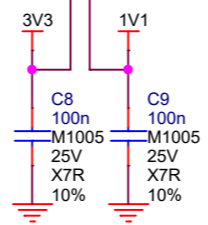
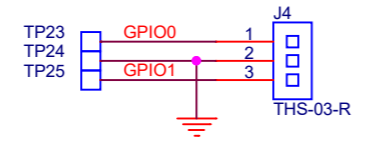
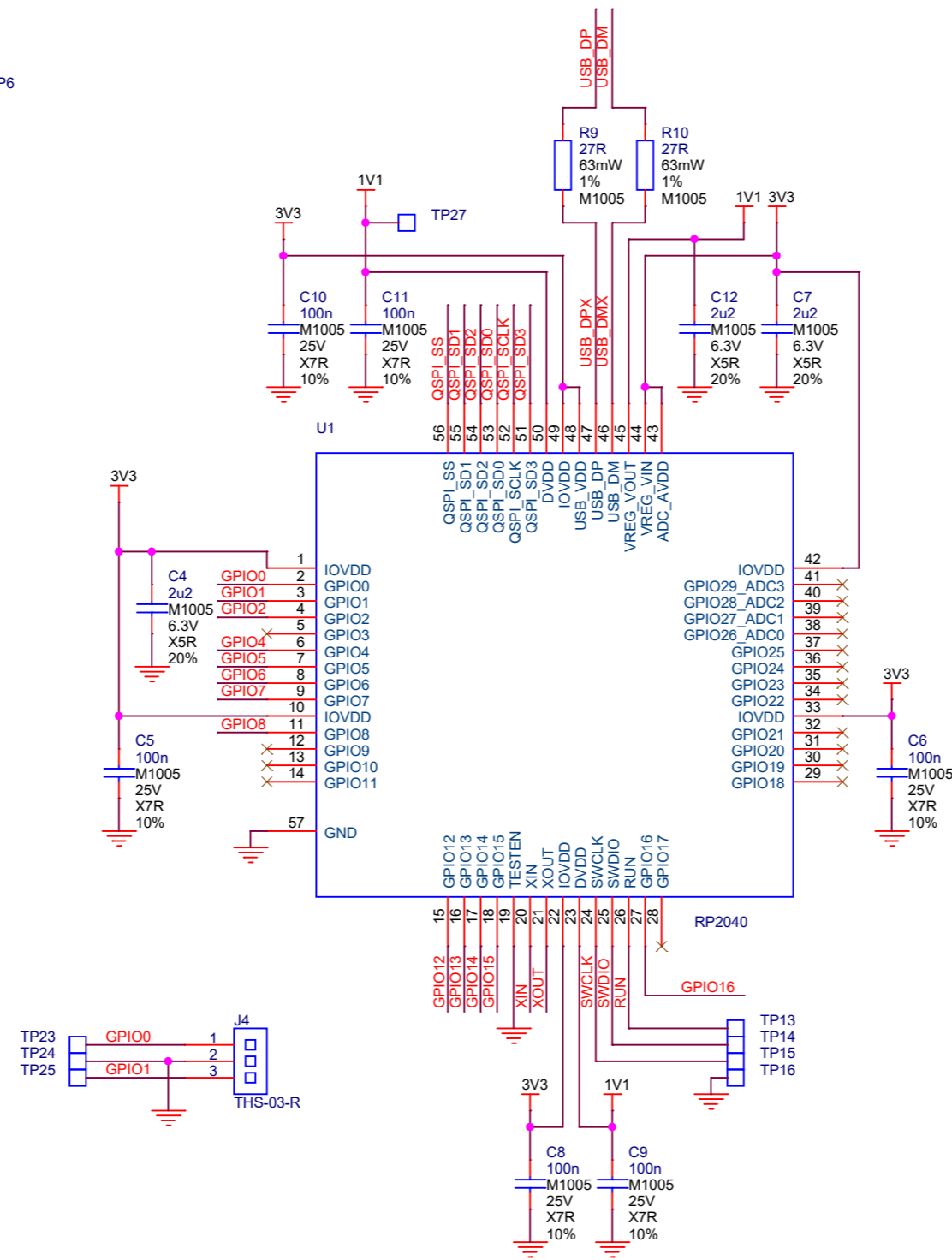
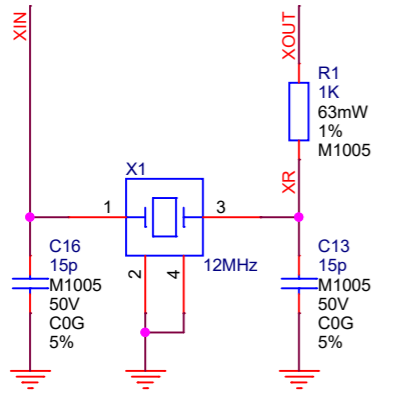
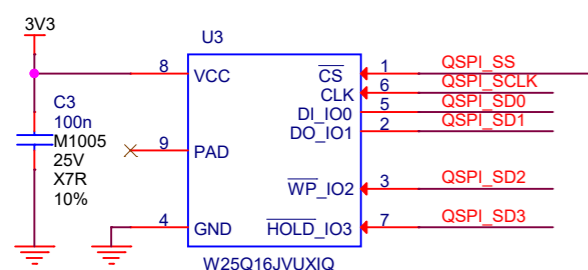
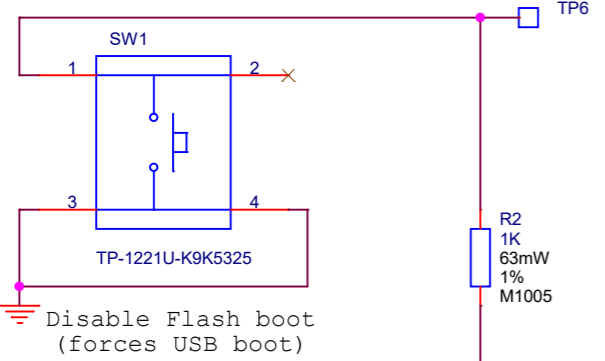


BOOTSEL



Title Raspberry Pi Debug Probe		Drawn By James Adams	
Size A3	Ref RPI-PICODEBUG	Rev 2	
Date: Monday, February 20, 2023	Sheet 1	of 1	