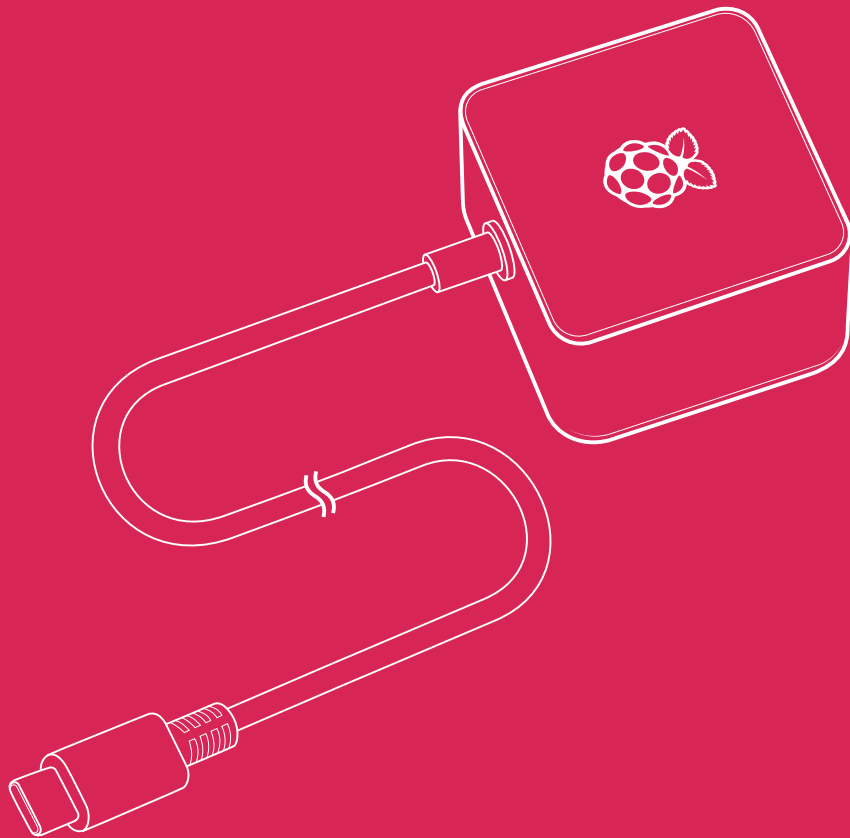




# Raspberry Pi 15W USB-C Power Supply

Published April 2024



## Overview



The official Raspberry Pi USB-C Power Supply is designed to power Raspberry Pi 4 Model B and Raspberry Pi 400 computers.

Featuring a captive USB-C cable, the power supply is available in five different models to suit different international power sockets, and in two colours, white and black.

## Specification

### Output

Output voltage:	+5.1V DC
Minimum load current:	0.0A
Nominal load current:	3.0A
Maximum power:	15.0W
Load regulation:	±5%
Line regulation:	±2%
Ripple & noise:	120mVp-p
Rise time:	100ms maximum to regulation limits for DC outputs
Turn-on delay:	3000ms maximum at nominal input AC voltage and full load
Protection:	Short circuit protection Overcurrent protection Over temperature protection
Efficiency:	81% minimum (output current from 100%, 75%, 50%, 25%)
Output cable:	1.5m 18AWG
Output connector:	USB Type-C

### Input

Voltage range:	100–240Vac (rated) 96–264Vac (operating)
Frequency:	50/60Hz ±3Hz
Current:	0.5A maximum
Power consumption (no load):	0.075W maximum
Inrush current:	No damage shall occur and the input fuse shall not blow

## Plug styles

Part number	Product number	Colour	Plug Style	Plug Type
KSA-15E-051300HU	SC0445	White	US	Type A
	SC0218	Black		
KSA-15E-051300HE	SC0444	White	Europe	Type C
	SC0217	Black		
KSA-15E-051300HK	SC0443	White	UK	Type G
	SC0216	Black		
KSA-15E-051300HA	SC0523	White	Australia New Zealand	Type I
	SC0219	Black	China	
KSA-15E-051300HI	SC0478	White	India	Type D (2-pin)
	SC0479	Black		

## Environment

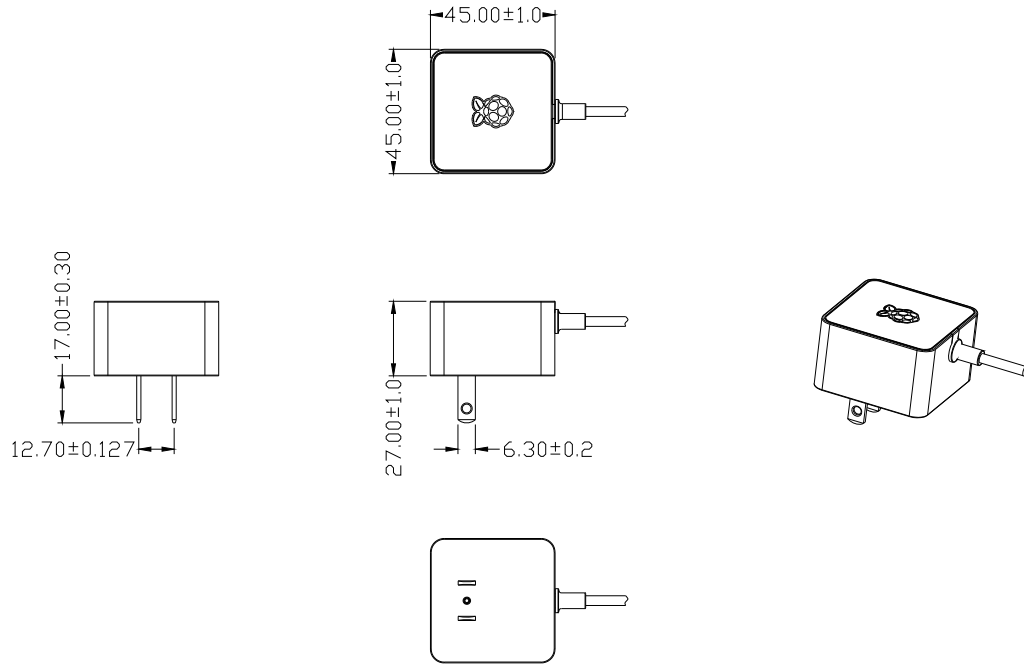
Operating ambient temperature 0–40°C

## Compliance

For a full list of local and regional product approvals, please visit [pip.raspberrypi.com](http://pip.raspberrypi.com)

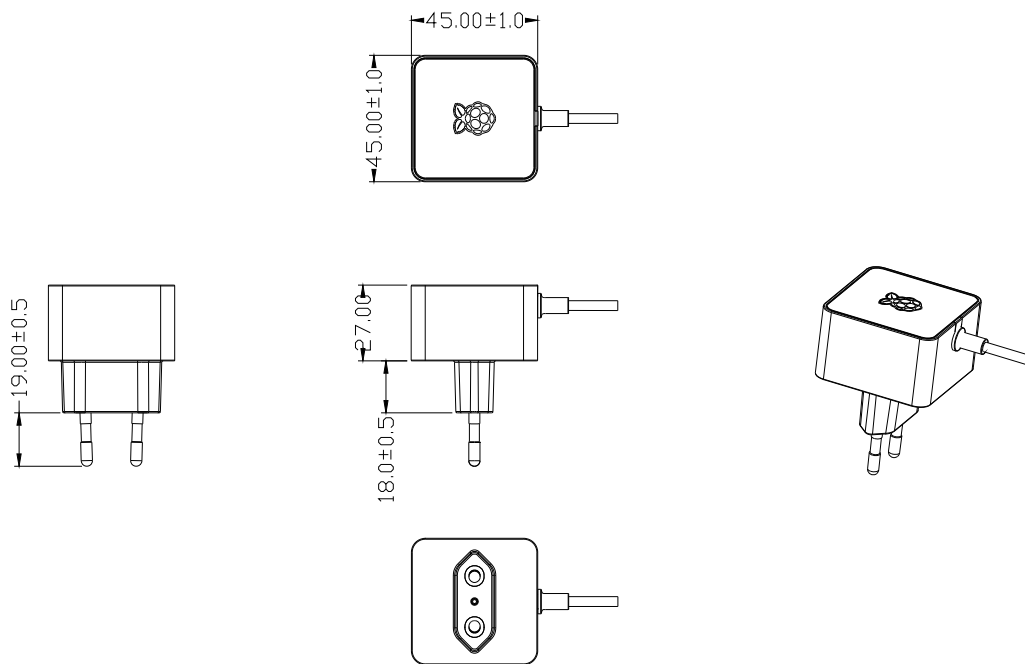
## Physical specification

### KSA-15E-051300HU



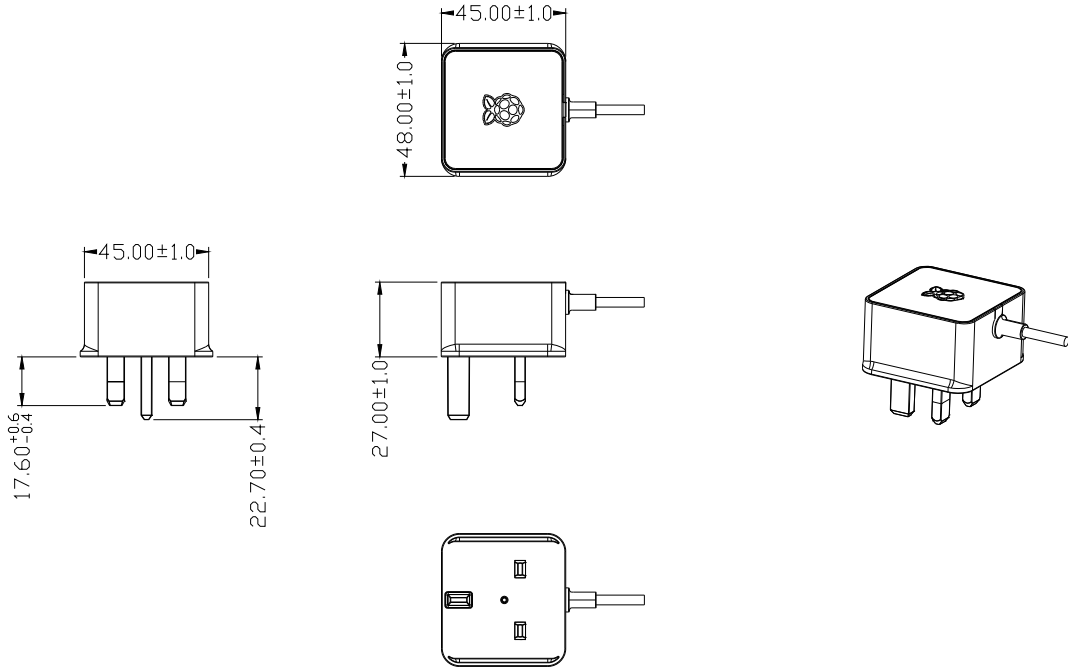
note: all dimensions in mm

### KSA-15E-051300HE

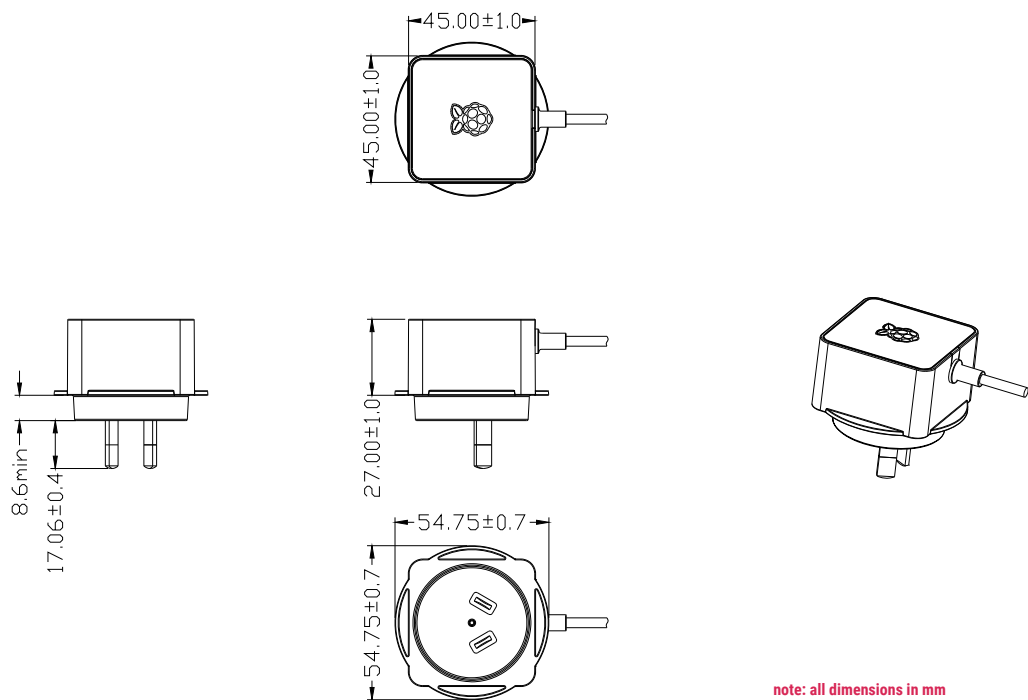


note: all dimensions in mm

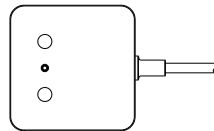
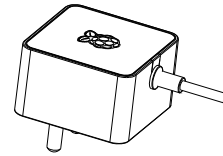
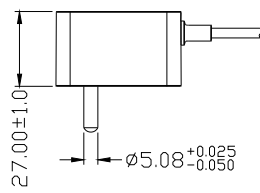
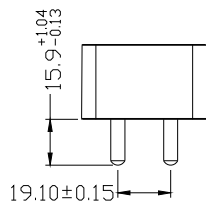
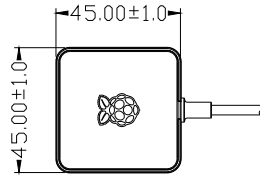
### KSA-15E-051300HK



### KSA-15E-051300HA



KSA-15E-051300HI



note: all dimensions in mm

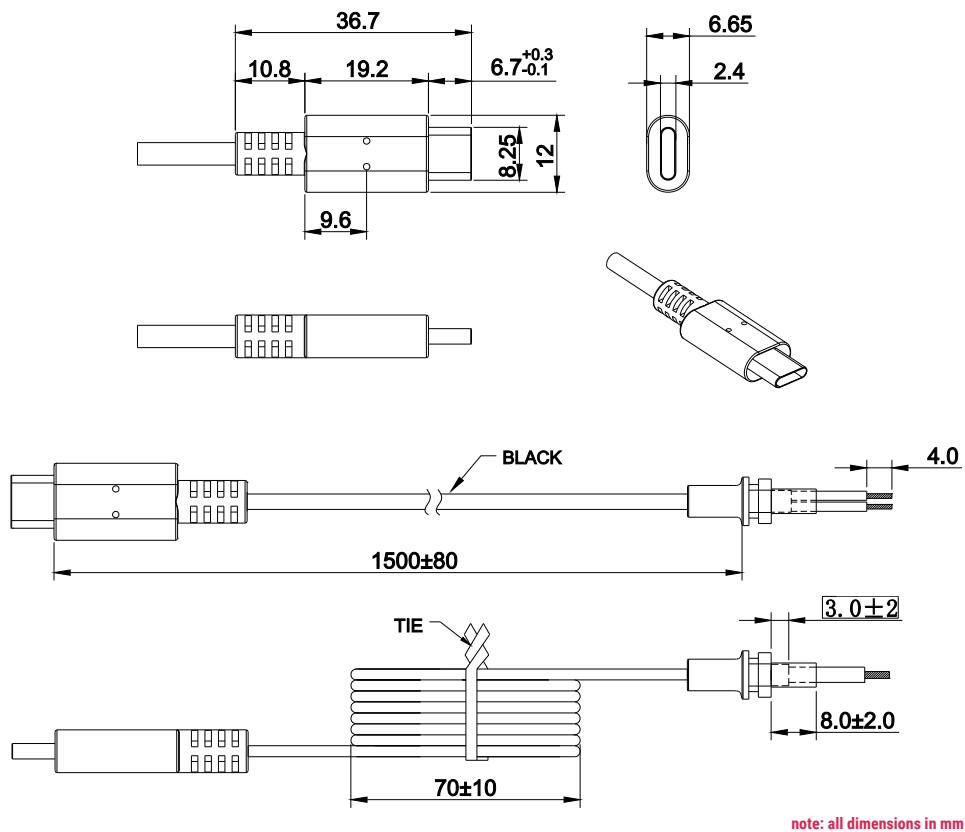
## Case material

UL94V-1

## AC pin material

Brass (Ni-plated)

## DC cord and output plug



note: all dimensions in mm

## WARNINGS

- This product should be operated in a well-ventilated environment.
- The connection of incompatible devices to this power supply may affect compliance, result in damage to the unit and invalidate the warranty.

## SAFETY INSTRUCTIONS

To avoid malfunction or damage to this product please observe the following:

- Do not expose to water or moisture, or place on a conductive surface whilst in operation.
- Do not expose to heat from any source; this is designed for reliable operation at normal ambient room temperatures.
- Do not attempt to open or remove the power supply case.





Raspberry Pi is a trademark of Raspberry Pi Ltd

---