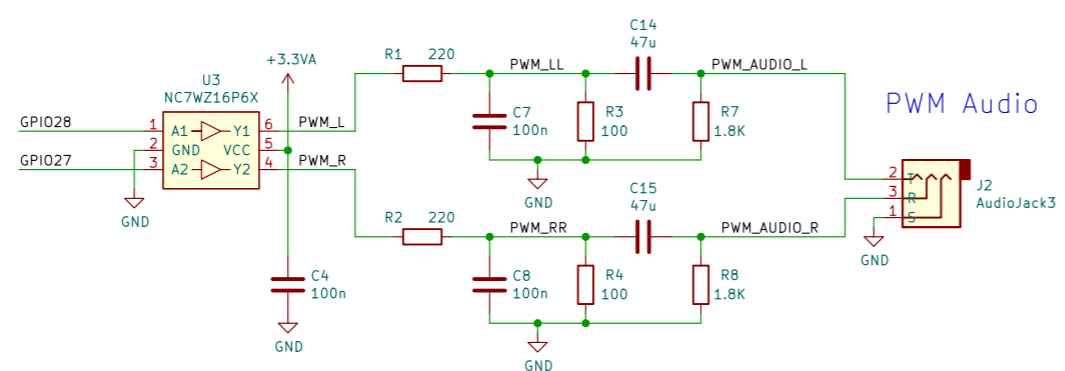
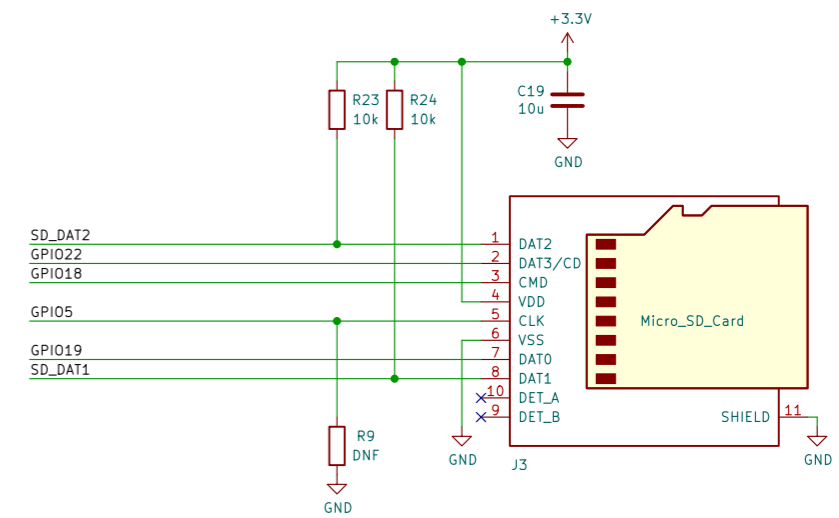


For 4-bit SD Card operation, place jumpers between 1-2 and 3-4. To use as a UART, remove the jumpers and attach a suitable UART device. Ensure TX is connected to RX and vice versa.

### Micro SD Card



- H1 MountingHole
- H2 MountingHole
- H3 MountingHole
- H4 MountingHole