

Raspberry Pi Sense Board [Also for Space!]

Page 1 : Contents / History

Page 2 : Atmel, LED driver, Seonsors

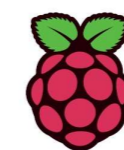
Page 3 : LEDs

Page 4 : More LEDs

History:

Rev 1.0 - Production prototype

Rev 2 - Add Colour sensor, disable LEDS if 3V3 not present

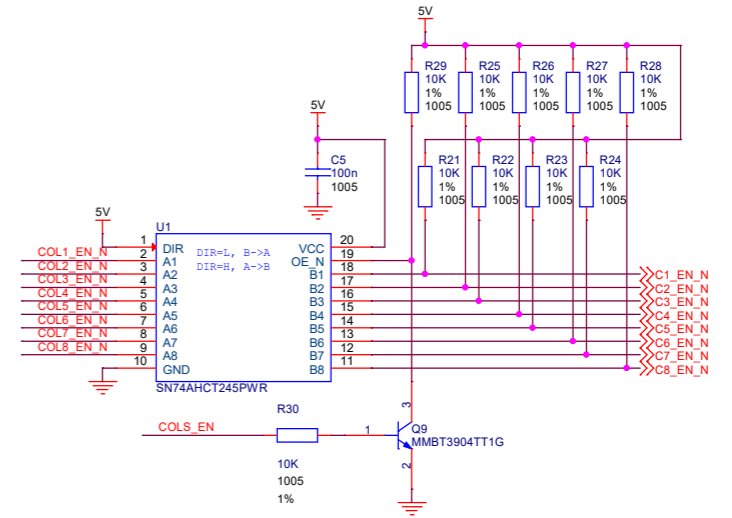
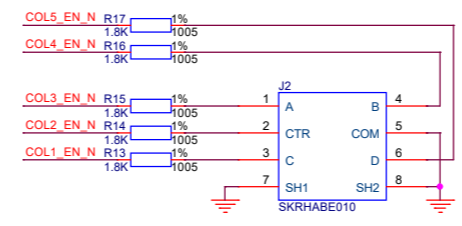
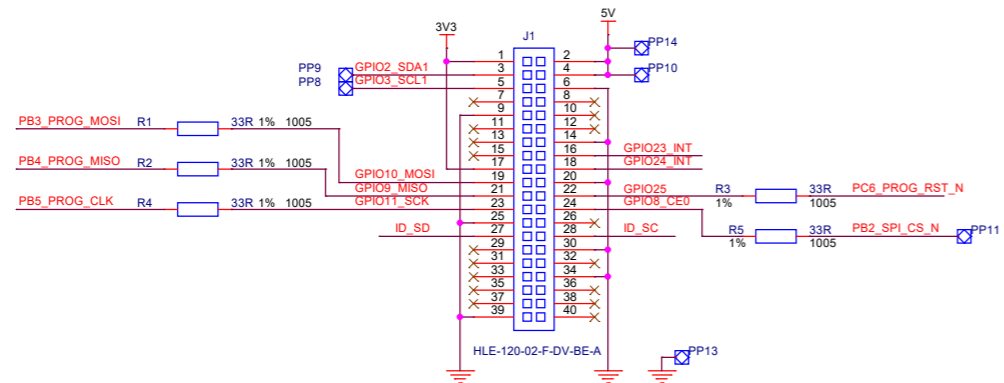


Raspberry Pi

© Raspberry Pi 2014

[www.raspberrypi.org](http://www.raspberrypi.org)

Title		Sense HAT		Drawn By		James Adams	
Size	A4	Ref	RPI-SENSE		Rev	2	
Date:	Tuesday, January 14, 2020			Sheet	1	of	4



Scan joystick state every start (or end) of frame:  
 1. Turn off LEDs (take LED\_OE\_N high)  
 2. Make Port D [7:3] inputs  
 3. Read button state from Port D [7:3]  
 4. Make Port D outputs again, re-enable LED driver, start next frame.  
 NOTE In-pad pull ups must be enabled for Port D

